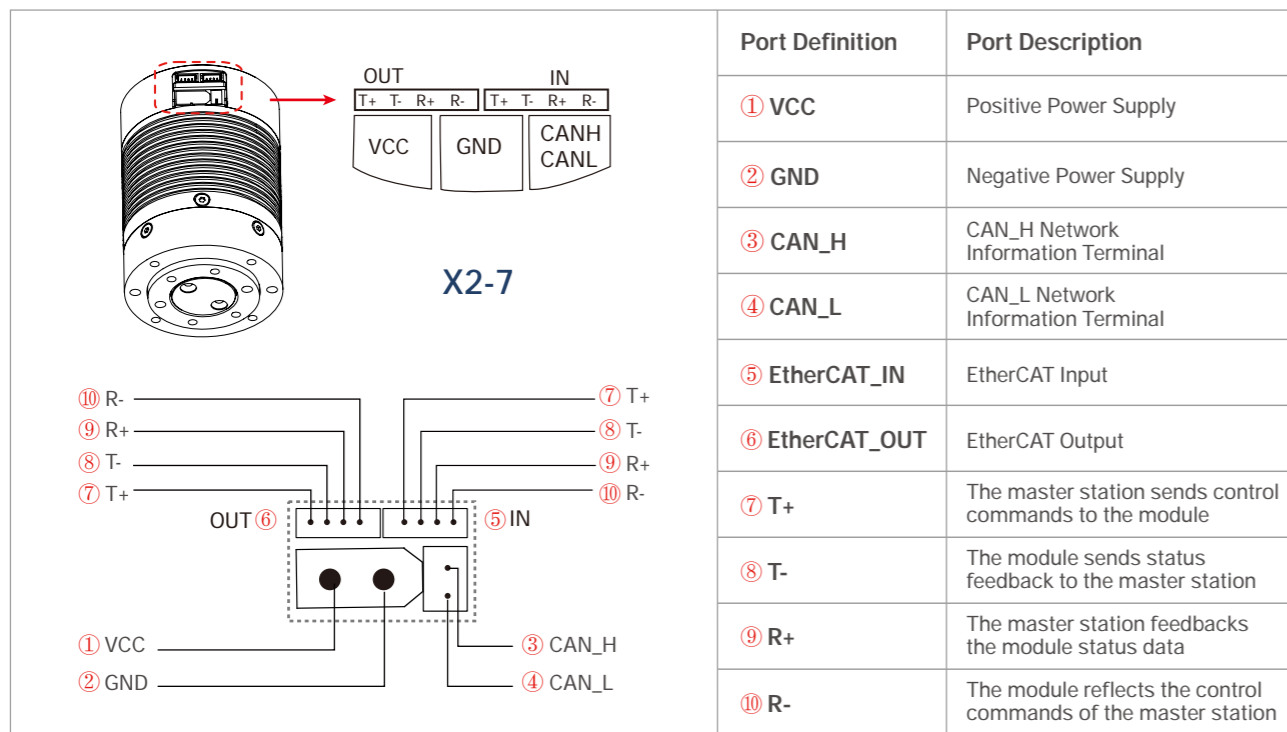
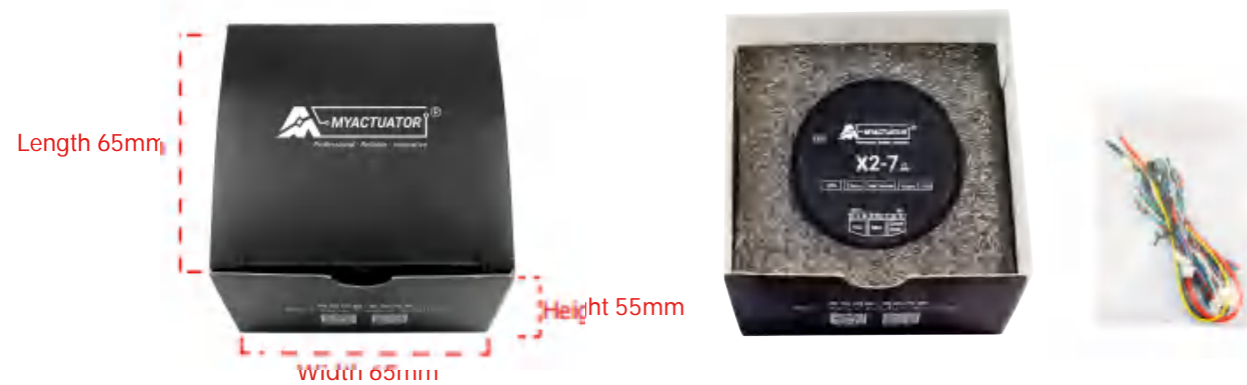


## X2-7 Interface Description



## X2-7 Packaging Information



### List:

- A. Power Supply + CAN BUS Communication Cable \*1
- B. 120Ω Terminal Resistance \*1
- C. EtherCAT Communication Cable \*2
- D. CAN BUS Communication Module \*1
- E. RJ45 Adapter Plate V1.0 \*1 (For Ethercat version)

## X2-7 Accessories Marking Instructions

Power Supply + CAN BUS Communication Cable	
① XT30(2+2) Connector	
② White Line	CAN_L Network Signal Terminal 26AWG 20cm
③ Yellow Line	CAN_H Network Signal Terminal 26AWG 20cm
④ Red Line	VCC Positive Power Supply 18AWG 20cm
⑤ Black Line	GND Negative Power Supply 18AWG 20cm

120Ω Terminal Resistance	
120Ω Terminal Resistance	

EtherCAT Communication Cable	
① SH1.0mm(4pin) Connector	
② T	EtherCAT Communication Signal Transmission Line 480mm
③ R	EtherCAT Communication Signal Receiving Line 480mm

CAN BUS Communication Module	
① CAN-L	CAN_L Network Information Terminal
② CAN-H	CAN_H Network Information Terminal
③ CAN-G	GND Ground
④ OFF	120Ω Terminal Resistance
⑤ ON	120Ω Terminal Resistance

RJ45 Adapter Plate V1.0	
① RJ45 Connector	Wired Network Interface
② T+	The master station sends control commands to the module
③ T-	The module sends status feedback to the master station
④ R+	The master station feeds back the module status data
⑤ R-	The module reflects the control commands of the master station

**Notes:** Each order includes one USB-CAN adapter. For additional adapters, please contact our sales team to place an order.

**Notes:** Ethercat version - Each order includes one RJ45 adapter. For additional adapters, please contact our sales team to place an order.