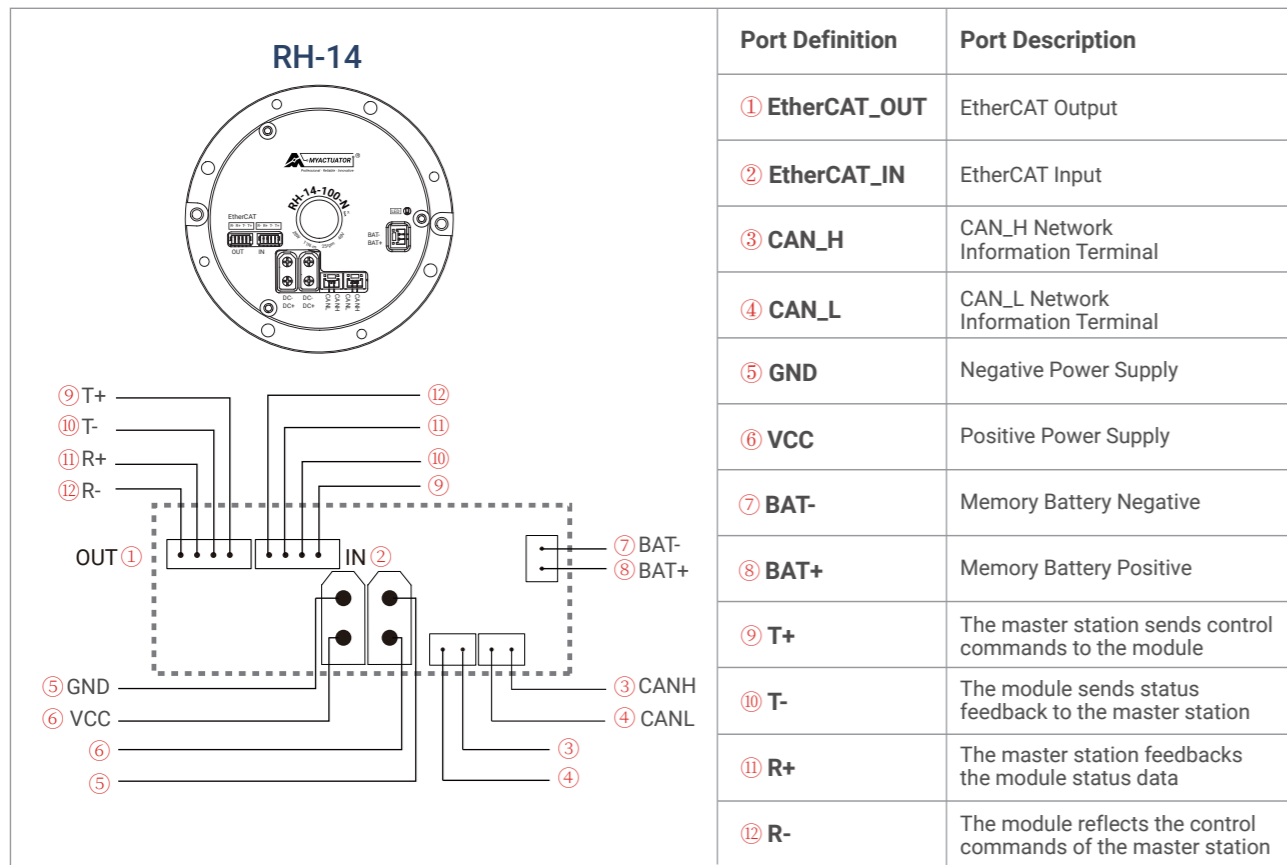


RH-14 Interface Description



RH-14 Packaging Information



List:

- A. Power Supply Cable *2
- B. CAN BUS Communication Cable *2 / Multi-turn battery Cable *1
- C. 120Ω Terminal Resistance *1
- D. EtherCAT Communication Cable *2
- E. CAN BUS Communication Module *1
- F. RJ45 Adapter Plate V1.0 *1 (For Ethercat version)

RH-14 Accessories Marking Instructions

A

Power Supply Cable	
① XT30(2+2) Connector	
② Red Line	VCC Positive Power Supply 18AWG 20cm
③ Black Line	GND Negative Power Supply 18AWG 20cm

B

CAN BUS Communication Cable / Multi-turn battery Cable	
① GH1.25-2P Connector	
② Black Line	CAN_H Network Information Terminal / Negative Power Supply 300mm
③ White Line	CAN_L Network Information Terminal / Positive Power Supply 300mm

C

120Ω Terminal Resistance	
① 120Ω Resistor	

D

EtherCAT Communication Cable	
① SH1.0mm(4pin) Connector	
② T	EtherCAT Transmission Wire 480mm
③ R	EtherCAT Receiving Wire 480mm

E

CAN BUS Communication Module	
① CAN-L	CAN_L NetworkInformation Terminal
② CAN-H	CAN_H Network Information Terminal
③ CAN-G	GND Ground
④ OFF	120Ω Terminal Resistance
⑤ ON	120Ω Terminal Resistance

Notes: Each order includes one USB-CAN adapter. For additional adapters, please contact our sales team to place an order.

F

RJ45 Adapter Plate V1.0	
① RJ45 Connector	Wired Network Interface
② T+	The master station sends control commands to the module
③ T-	The module sends status feedback to the master station
④ R+	The master station feedbacks the module status data
⑤ R-	The module reflects the control commands of the master station

Notes: Ethercat version - Each order includes one RJ45 adapter. For additional adapters, please contact our sales team to place an order.