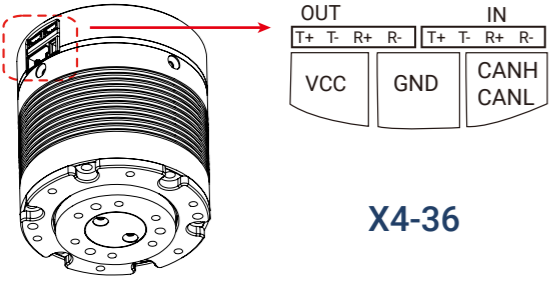


X4-36 Interface Description



X4-36

Port Definition	Port Description
① VCC	Positive Power Supply
② GND	Negative Power Supply
③ CAN_H	CAN_H Network Information Terminal
④ CAN_L	CAN_L Network Information Terminal
⑤ EtherCAT_IN	EtherCAT Input
⑥ EtherCAT_OUT	EtherCAT Output
⑦ T+	The master station sends control commands to the module
⑧ T-	The module sends status feedback to the master station
⑨ R+	The master station feedbacks the module status data
⑩ R-	The module reflects the control commands of the master station

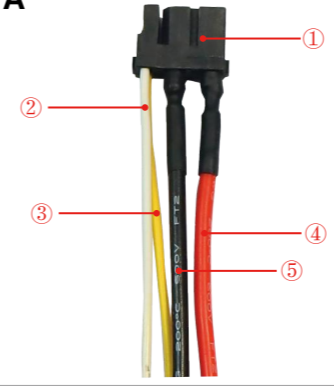

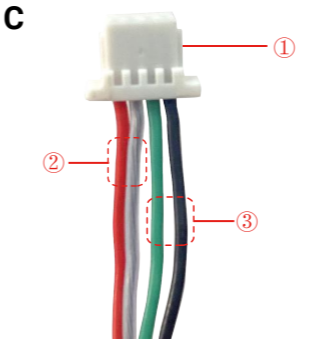
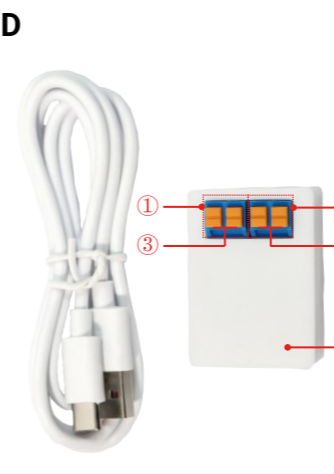
X4-36 Packaging Information



List:

- A. Power Supply + CAN BUS Communication Cable *1
- B. 120Ω Terminal Resistance *1
- C. EtherCAT Communication Cable *2
- D. CAN BUS Communication Module *1 (For each order, there will be a free USB-CAN adapter. If need more, please contact sales to buy.)

X4-36 Accessories Marking Instructions

Power Supply + CAN BUS Communication Cable	
① XT30(2+2) Connector	
② White Line :	CAN_L Network Signal Terminal
③ Yellow Line :	CAN_H Network Signal Terminal
④ Red Line :	VCC Positive Power Supply
⑤ Black Line :	GND Negative Power Supply

120Ω Terminal Resistance	
① 120Ω Terminal Resistance	

EtherCAT Communication Cable	
① SH1.0mm(4pin) Connector	
② T	EtherCAT Communication Signal Transmission Line
③ R	EtherCAT Communication Signal Receiving Line

CAN BUS Communication Module	
① CAN1	Communication Channel
② CAN0	Communication Channel
③ CANL	CANH
④ CANL	CANH
⑤ CAN1	CAN0 120Ω Resistance Switch

Notes: For each order, there will be a free USB-CAN Adapter. If need more, please contact sales to buy.