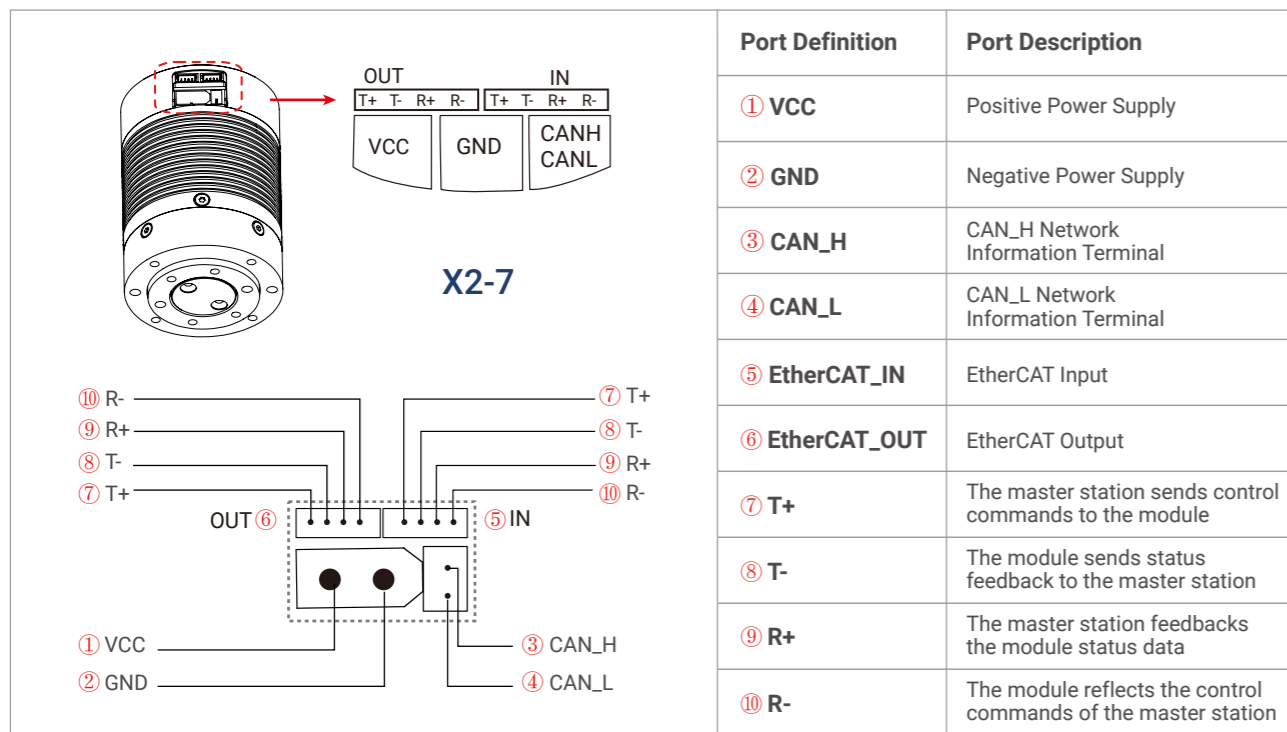


## X2-7 Interface Description



## X2-7 Packaging Information



### List:

- A. Power Supply + CAN BUS Communication Cable \*1
- B. 120Ω Terminal Resistance \*1
- C. EtherCAT Communication Cable \*2
- D. CAN BUS Communication Module \*1
- E. RJ45 Adapter Plate V1.0 \*1 ( For Ethercat version )

## X2-7 Accessories Marking Instructions

	<b>Power Supply + CAN BUS Communication Cable</b>	
	① XT30(2+2) Connector	
	② White Line	CAN_L Network Signal Terminal 26AWG 20cm
	③ Yellow Line	CAN_H Network Signal Terminal 26AWG 20cm
	④ Red Line	VCC Positive Power Supply 18AWG 20cm
	⑤ Black Line	GND Negative Power Supply 18AWG 20cm
	<b>120Ω Terminal Resistance</b>	
	<b>EtherCAT Communication Cable</b>	
	① SH1.0mm(4pin) Connector	
	② T	EtherCAT Communication Signal Transmission Line 480mm
	③ R	EtherCAT Communication Signal Receiving Line 480mm
	<b>CAN BUS Communication Module</b>	
	① CAN-L	CAN_L Network Information Terminal
	② CAN-H	CAN_H Network Information Terminal
	③ CAN-G	GND Ground
	④ OFF	120Ω Terminal Resistance
	⑤ ON	120Ω Terminal Resistance
	<b>RJ45 Adapter Plate V1.0</b>	
	① RJ45 Connector	Wired Network Interface
	② T+	The master station sends control commands to the module
	③ T-	The module sends status feedback to the master station
	④ R+	The master station feeds back the module status data
	⑤ R-	The module reflects the control commands of the master station

**Notes:** Each order includes one USB-CAN adapter. For additional adapters, please contact our sales team to place an order.

**Notes:** Ethercat version - Each order includes one RJ45 adapter. For additional adapters, please contact our sales team to place an order.