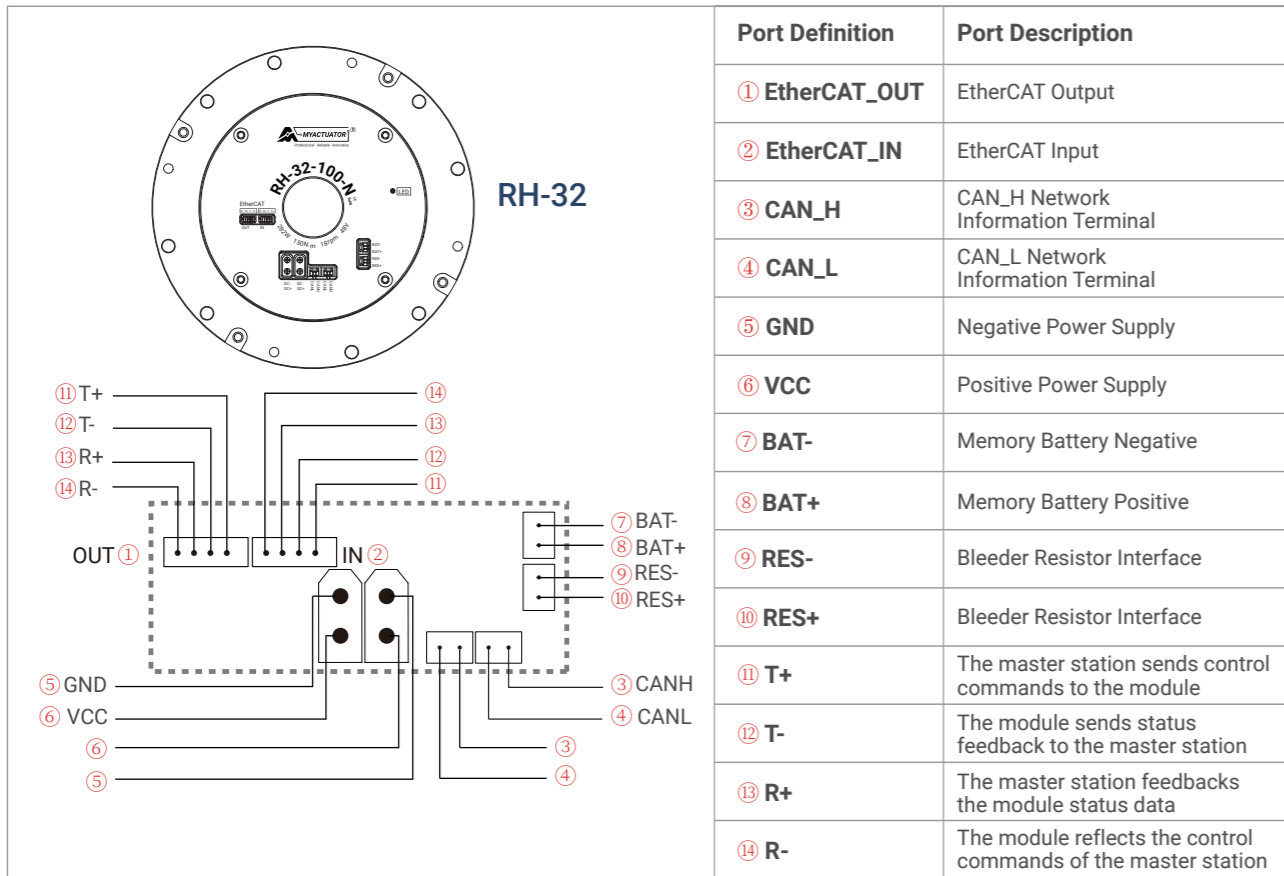


RH-32 Interface Description



RH-32 Packaging Information



List:

- A. Power Supply Cable *2
- B. CAN BUS Communication Cable *2 / Bleeder Resistor Cable *1 / Multi-turn battery Cable *1
- C. 120Ω Terminal Resistance *1
- D. EtherCAT Communication Cable *2
- E. CAN BUS Communication Module *1
- F. RJ45 Adapter Plate V1.0 *1 (For Ethercat version)

RH-32 Accessories Marking Instructions

A	Power Supply Cable	
	① XT30U-F 14AWG Connector	
B	CAN BUS Communication Cable / Bleeder Resistor Cable / Multi-turn battery Cable	
	① GH1.25-2P Connector	
C	② Black Line	CAN_H Network Information Terminal / Negative Power Supply / Negative Power Supply 300mm
	③ White Line	CAN_L Network Information Terminal / Positive Power Supply / Positive Power Supply 300mm
D	EtherCAT Communication Cable	
	① SH1.0mm(4pin) Connector	
E	② T	EtherCAT Transmission Wire 480mm
	③ R	EtherCAT Receiving Wire 480mm
F	RJ45 Adapter Plate V1.0	
	① RJ45 Connector	Wired Network Interface
Notes: Each order includes one USB-CAN adapter. For additional adapters, please contact our sales team to place an order.		
Notes: Ethercat version - Each order includes one RJ45 adapter. For additional adapters, please contact our sales team to place an order.		