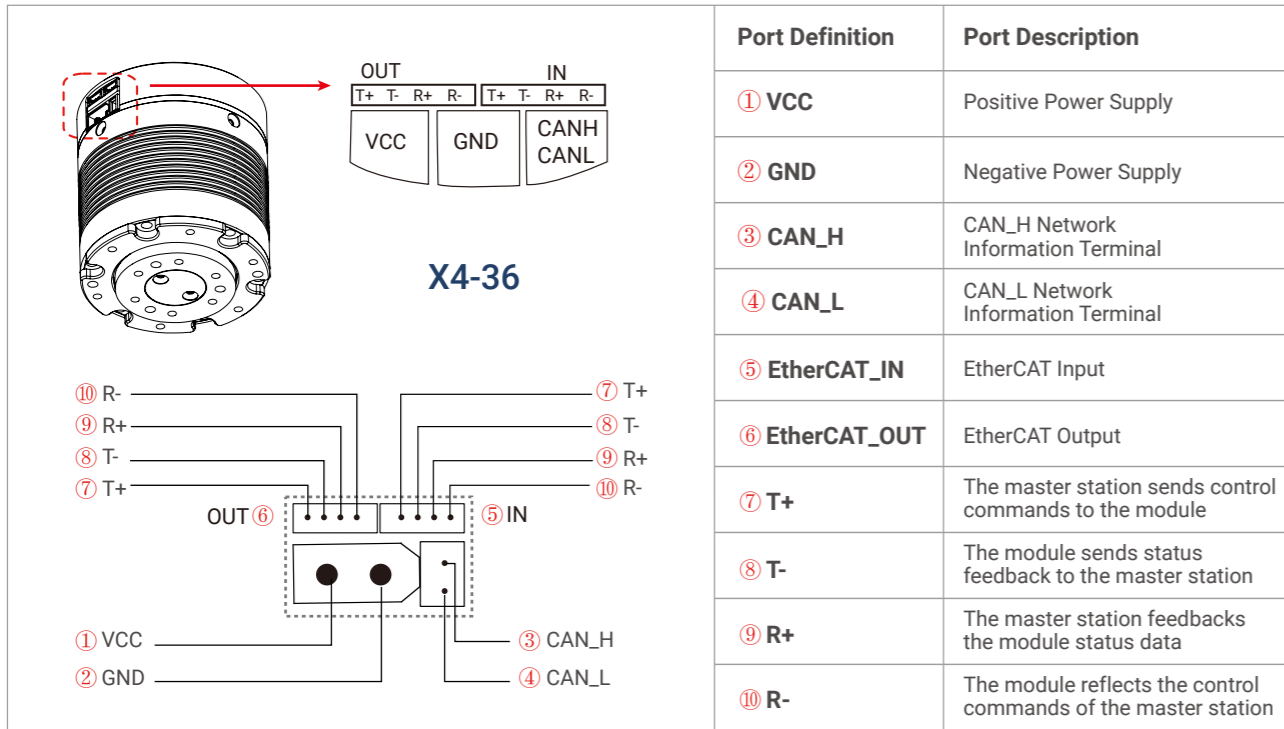


X4-36 Interface Description



X4-36 Packaging Information



List:

- A. Power Supply + CAN BUS Communication Cable *1
- B. 120Ω Terminal Resistance *1
- C. EtherCAT Communication Cable *2
- D. CAN BUS Communication Module *1 (For each order, there will be a free USB-CAN adapter. If need more, please contact sales to buy.)

X4-36 Accessories Marking Instructions

