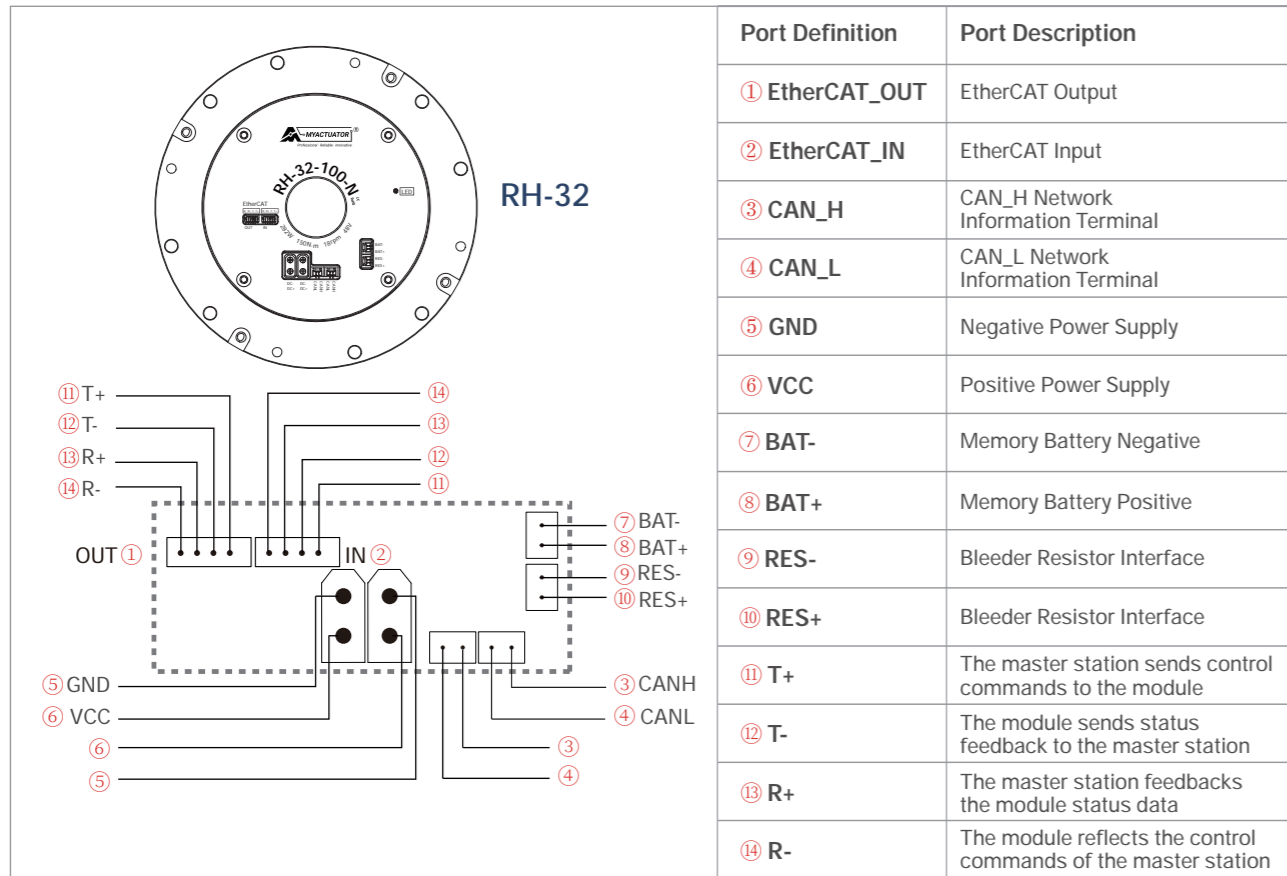


## RH-32 Interface Description



## RH-32 Packaging Information



### List:

- A. Power Supply Cable \*2
- B. CAN BUS Communication Cable \*2 / Bleeder Resistor Cable \*1 / Multi-turn battery Cable \*1
- C. 120Ω Terminal Resistance \*1
- D. EtherCAT Communication Cable \*2
- E. CAN BUS Communication Module \*1
- F. RJ45 Adapter Plate V1.0 \*1 ( For Ethercat version )

## RH-32 Accessories Marking Instructions

<b>A</b>	<b>Power Supply Cable</b>	
	①	XT30U-F 14AWG Connector
	② Red Line	VCC Positive Power Supply 14AWG 20cm
	③ Black Line	GND Negative Power Supply 14AWG 20cm
<b>B</b>	<b>CAN BUS Communication Cable / Bleeder Resistor Cable / Multi-turn battery Cable</b>	
	①	GH1.25-2P Connector
	② Black Line	CAN_H Network Information Terminal / Negative Power Supply / Negative Power Supply 300mm
	③ White Line	CAN_L Network Information Terminal / Positive Power Supply / Positive Power Supply 300mm
<b>C</b>	<b>120Ω Terminal Resistance</b>	
<b>D</b>	<b>EtherCAT Communication Cable</b>	
	①	SH1.0mm(4pin) Connector
	② T	EtherCAT Transmission Wire 480mm
	③ R	EtherCAT Receiving Wire 480mm
<b>E</b>	<b>CAN BUS Communication Module</b>	
	① CAN-L	CAN_L NetworkInformation Terminal
	② CAN-H	CAN_H Network Information Terminal
	③ CAN-G	GND Ground
	④ OFF	120Ω Terminal Resistance
	⑤ ON	120Ω Terminal Resistance
<b>Notes:</b> Each order includes one USB-CAN adapter. For additional adapters, please contact our sales team to place an order.		
<b>F</b>	<b>RJ45 Adapter Plate V1.0</b>	
	① RJ45 Connector	Wired Network Interface
	② T+	The master station sends control commands to the module
	③ T-	The module sends status feedback to the master station
	④ R+	The master station feedbacks the module status data
	⑤ R-	The module reflects the control commands of the master station
<b>Notes:</b> Ethercat version - Each order includes one RJ45 adapter. For additional adapters, please contact our sales team to place an order.		